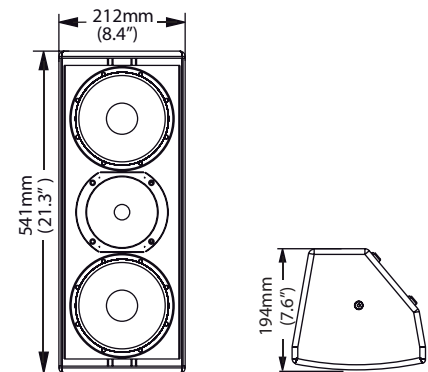


## Product Description:

Portable and Installed PA loudspeakers used in applications including sound reinforcement and stage monitoring in Houses of Worship, Events, Clubs, Rehearsal Halls, Ballrooms. Σ Series delivers extraordinary performance at unmatched value.

## Key Features and Benefits:

- High SPL and sensitivity
- 2 x 6" high power low frequency transducer
- 1 x 1" PEI diaphragm compression driver
- Passive configuration
- 140° x 140° wide angle coverage pattern
- 1 x NL4 connector
- Computer aided design to optimise frequency and phase response
- Multi purpose cabinet design for FOH or monitor use
- Use as a main system with or without sub speaker augmentation.
- Suitable for speech and background music
- Flexible and easy-to-install configurations (wall, ceiling, under balcony)
- U Bracket included
- 35mm Stand Adapter included
- Combine with any ΣB or ΣJ Series high power sub speaker for extended low frequency, high quality music reproduction
- Powder coated grill
- Durable Polyurethane textured base paint
- 1 x NL4 conenctor included in packaging



## System Specifications:

Construction	15mm Birch Plywood
Transducers	1 x 1" HF Compression Driver + 2 x 6" LF
Crossover	3kHz
Frequency Response (-3dB)	70Hz-18kHz
Rated Power	160W (RMS)
Sensitivity (1W @ 1m)	93dB
Rated Impedance	8Ω
Dispersion (H x V)	140° x 140°
Connector	1 x NL4
Dimensions (W x D x H)	212mm (8.4") x 194mm (7.6") x 541mm (21.3")
Packaging Dimensions (2 pieces/pack)	631mm (24.9") x 550mm (21.7") x 303mm (11.9")
Net Weight (2 pieces/pack)	19kg (41.8lb)
Gross Weight (2 pieces/pack)	22.5kg (49.6lb)

