



# R4/R8

## Compact Powered Line Array

### Product Description

The R4/R8 Powered Compact Line Array System is the ultimate solution for sound reinforcement where optimum energy control is required. The system comprises of an internal 600W amplifier, subwoofer, four full-range line array cabinets, and programmable DSP control. The cabinets are mechanically connected using a three-point suspension system, and integral rigging allows flexibility in a variety of array configurations. The R4/R8 Powered Compact Line Array System is suitable for Halls, Auditoriums, Performing Arts, Houses of Worship and other medium sized venues.



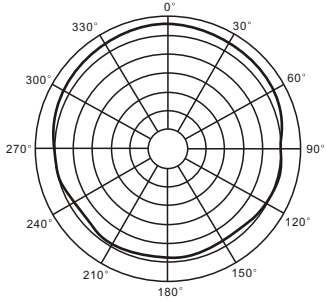
### Key Features & Benefits

- Each system comes complete with subwoofer, 4 mid-high line array cabinets, internal power amplification, DSP control, all rigging hardware and connecting speaker cables.
- Compact design for medium scale sound reinforcement.
- Internal amplification, programmable DSP control, ( via RS-232 port ) gain, crossover, equalisation, compressor/limiter, and time alignment.
- Software included.
- Rear panel peak level indicator, level control.
- Two 8" low frequency drivers. ( R8 active amplification module )
- Two 4" mid frequency drivers and one high frequency ribbon driver in each R4 line array module.
- 120° controlled horizontal coverage.
- Splay angle adjustable in 1° steps.
- XLR line input with XLR "loop through."
- Mechanically connected cabinet design with three point suspension system allowing flexibility in a variety of array configurations.

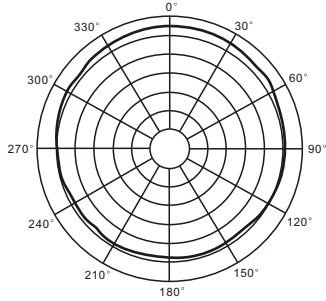
### System Specifications

Frequency Response ( -3dB ):	50Hz-40kHz
Rated Power ( RMS ):	R8 (LF): 300W, R4 (M/H): 300W
Rated SPL ( 1W @ 1m )	115dB
Maximum SPL ( 1W @ 1m )	121dB
Crossover Point:	LF/MF 125Hz MF/ HF 3.2KHz
Input Impedance:	10kΩ
Dispersion ( H x V ):	120° x (30° - 90°) adjustable
Connector:	NL4
Power supply:	AC 230V /50Hz
Dimensions ( W x D x H ):	492mm x 608mm x 900mm
Packaging Dimensions ( 1set/pack ):	696mm x 696mm x 580mm
Net Weight ( 1set/pack ):	45Kg
Gross Weight ( 1set/pack ):	50Kg

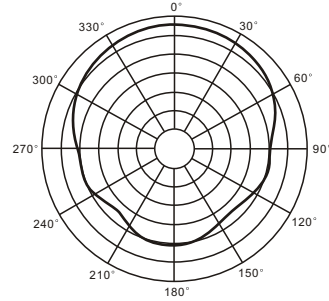
### Horizontal Dispersion Polar Plots



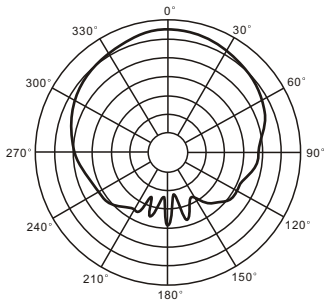
100Hz



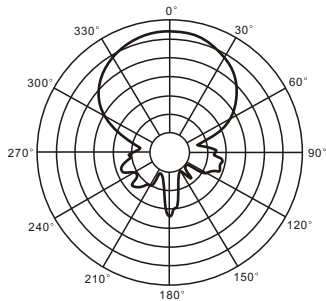
160Hz



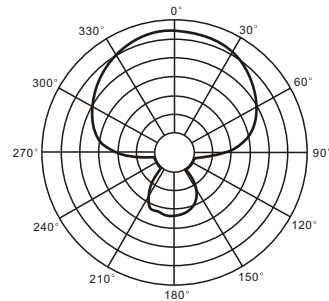
250Hz



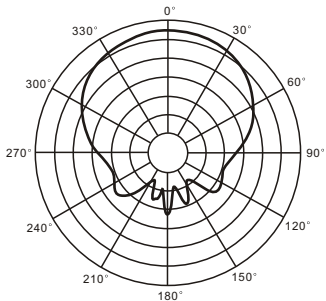
400Hz



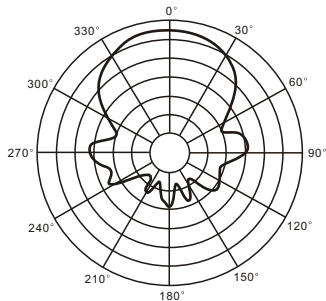
630Hz



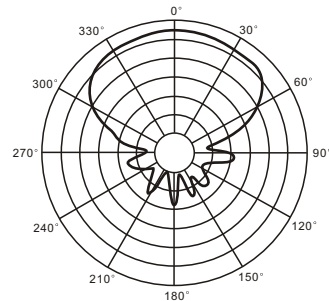
1kHz



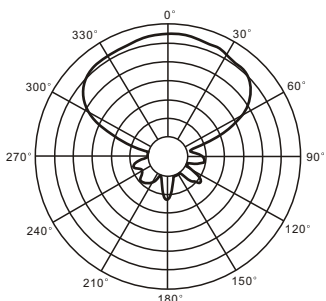
1.6kHz



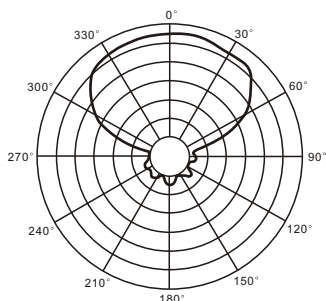
2.5kHz



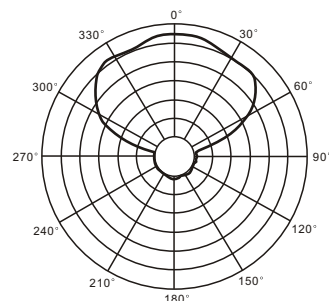
4.0kHz



6.3kHz



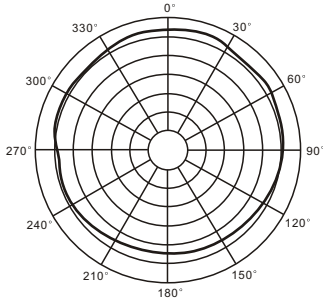
10kHz



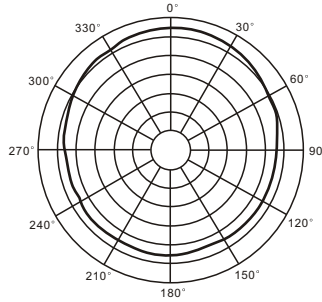
16kHz

Tested at 4 metres in 6dB increments.

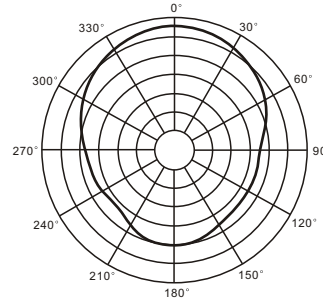
### Vertical Dispersion Polar Plots



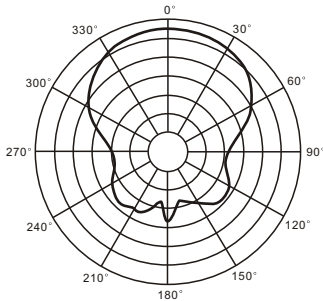
100Hz



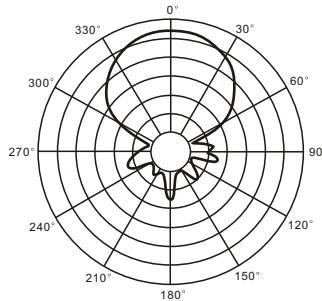
160Hz



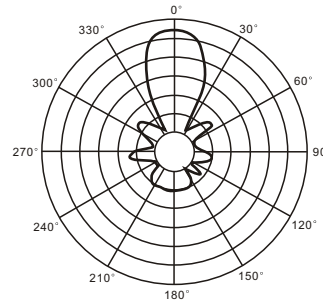
250Hz



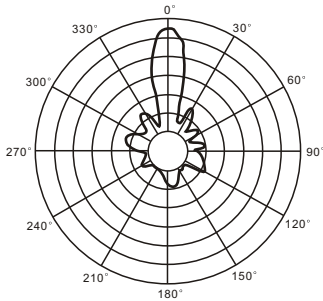
400Hz



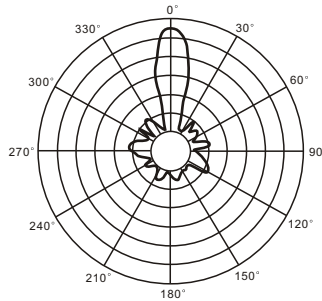
630Hz



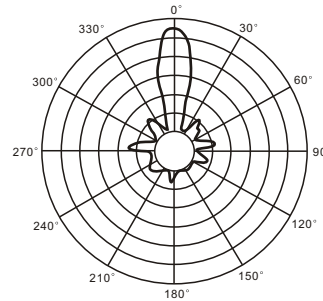
1kHz



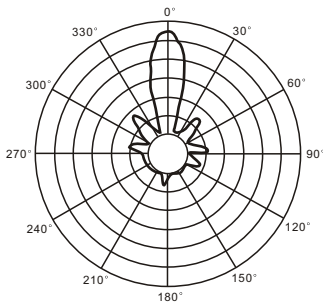
1.6kHz



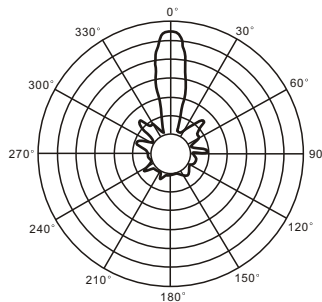
2.5kHz



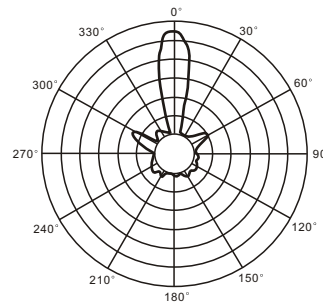
4.0kHz



6.3kHz



10kHz



16kHz

Tested at 4 metres in 6dB increments.



# R4/R8

## Compact Powered Line Array

### Limited Warranty Information

If malfunction occurs during the specified warranty period from the date of original purchase, the product will be repaired or replaced without charge by Sound Choice Pro Audio.

The Limited Warranty does not apply to:

- (a) exterior finish or appearance;
- (b) certain specific items described in the individual product data sheet or owner's manual;
- (c) malfunction resulting from use or operation of the product other than as specified in the individual product data sheet or owner's manual;
- (d) malfunction resulting from misuse or abuse of the product;
- (e) malfunction occurring at any time after repairs have been made to the product by anyone other than Sound Choice Pro Audio Service or any of its authorised service representatives.

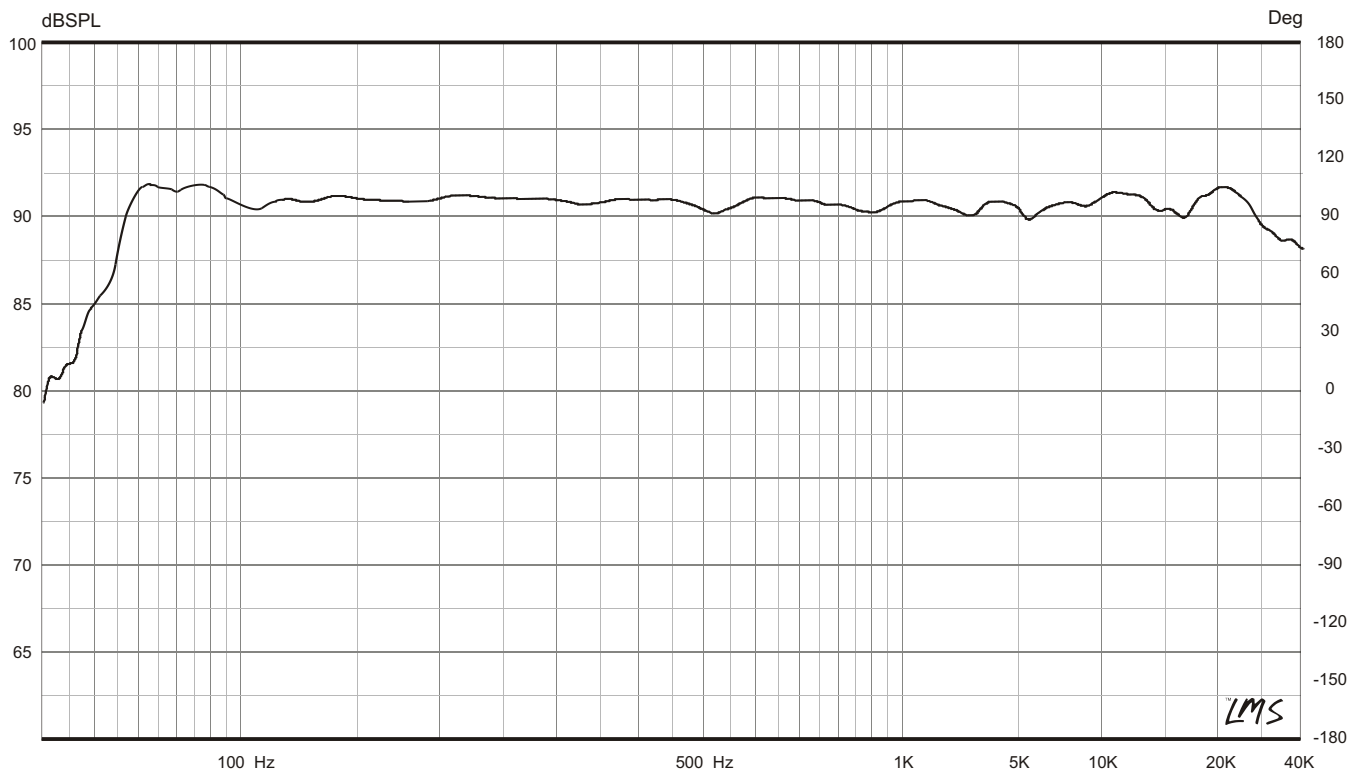
To obtain warranty service, a customer must deliver proof of purchase of the product in the form of a bill of sale or receipt invoice.

R4/R8 Speakers and Speaker Systems are guaranteed against malfunction due to defects in materials or workmanship for a period of three (3) years from the date of original purchase. The Limited Warranty does not apply to burned voice coils or malfunctions such as cone and/or coil damage resulting from improperly designed enclosures. Additional details are included in the Limited Warranty statement.

R4/R8 Accessories are guaranteed against malfunction due to defects in materials or workmanship for a period of one (1) year from the date of original purchase. Additional details are included in the Limited Warranty statement.

R4/R8 Flying Hardware ( including enclosure-mounted hardware and rigging accessories ) are guaranteed against malfunction due to defects in materials or workmanship for a period of one (1) year from the date of original purchase. Additional details are included in the Limited Warranty statement. For further warranty details please visit <http://www.scpaudio.com>.

### System Frequency Response



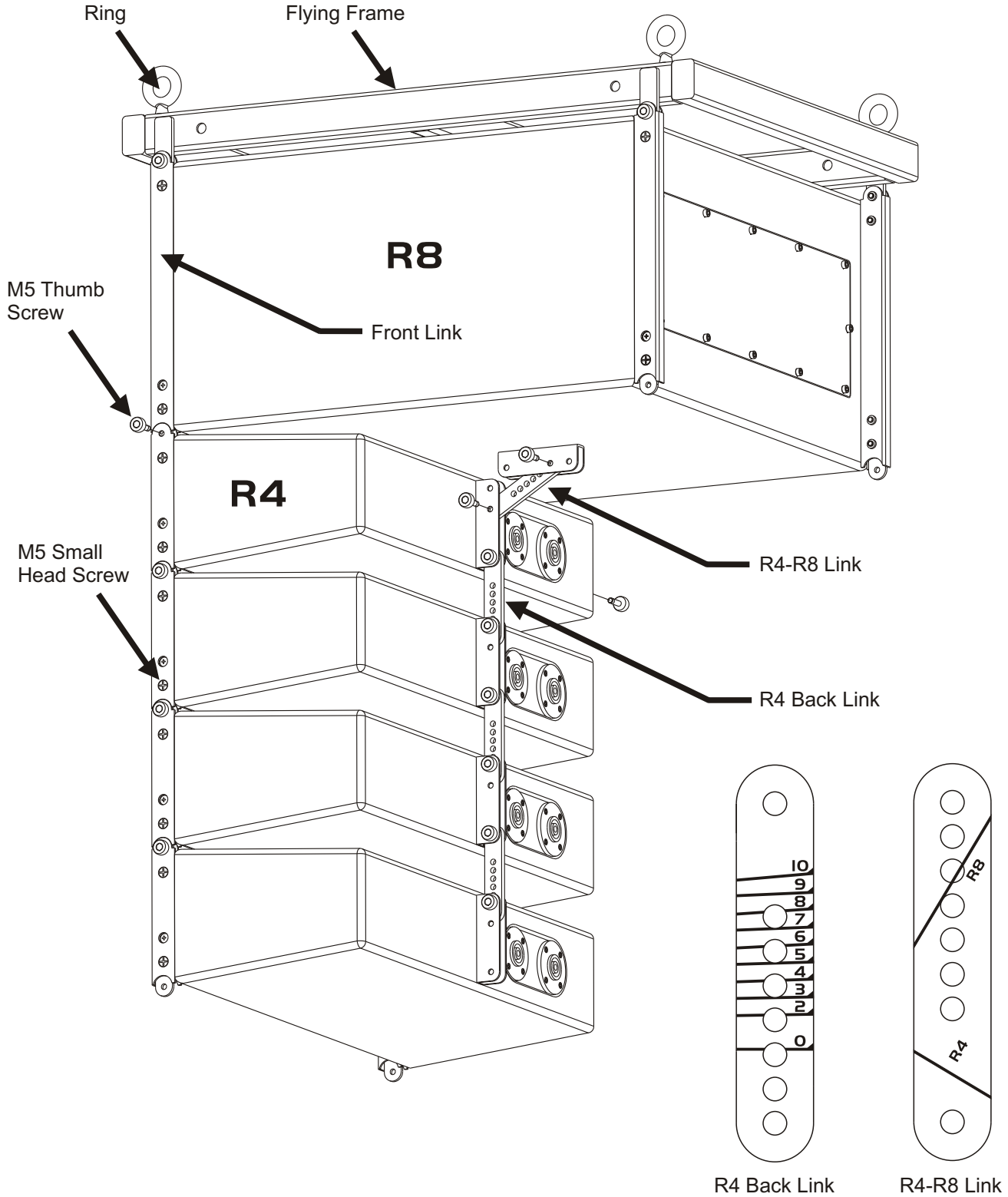


# R4/R8

## Compact Powered Line Array

### Rigging & Installation

# Technical Data Sheet





# R4/R8

## Compact Powered Line Array

### Amplifier Specifications

Low Frequency Power Amplifier		Pre Amplifier	
Distortion limit output power ( 0.5% THD @ 630Hz )	300W	Input Sensitivity:	0.775V
Load Impedance	4Ω	Crossover Point:	2kHz
Distortion ( THD )	0.1%	Input Impedance:	10kΩ ( Balanced )
Protection	Output maladjustment protection DC protection, Input signal limiting, Overload protection Overheat protection Power on/off pop elimination	Power Supply:	AC 230V/50Hz
Full Range Power Amplifier		Control/Connection	
Distortion limit output power ( 0.5% THD @ 630Hz )		Knob:	Volume
Load Impedance		Indicator:	Peak Indicator
Distortion ( THD )		Input Connector:	XLR
Protection		Output Connector:	1 x male XLR ( Input ) 2 x NL4 Output per cabinet

### Cabinet Dimensions

