

OPERATION MANUAL

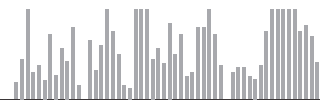
T319

COMMERCIAL SERIES | Microphone



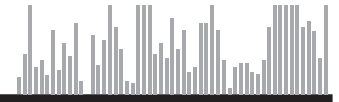
Please follow the instructions in this manual to obtain the optimum results from this unit.
We also recommend that you keep this manual handy for future reference.

TABLE OF CONTENTS



1.	Safety Precautions	3
2.	Attention	4
3.	General Description	5
4.	Features	5
5.	Functions	6
	- Front Panel	
	- Rear Panel	
6.	Connection Diagram	8
7.	Block Diagram	9
9.	Specifications	10
10.	Installing Method	11

1. SAFETY INSTRUCTIONS



- Be sure to read through all the instructions in this Manual before using the product.
- Please ensure that you observe the instructions in this Manual, especially those highlighted by Safety Symbols and Safety Messages.
- Please retain this Manual in a safe place for future reference.

Safety Symbol and Safety Message Conventions

The Safety Symbols and Safety Messages described below have been included in this Manual to prevent possible bodily injury and property damage which could result from mishandling. Please read through this Manual and become familiar with all Safety Symbols and Safety Messages, before operating this product.



WARNING

Indicates a potentially hazardous situation which, if mishandled, could result in death or serious personal injury.



CAUTION

Indicates a potentially hazardous situation which, if mishandled, could result in moderate or minor personal injury, and/or property damage.



WARNING

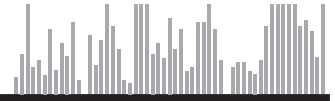
When Installing the Unit

- Do not expose the unit to rain or an environment where it may be splashed by water or other liquids, as doing so may result in fire or electric shock.
- Use the unit only with the voltage specified on the unit. Using a voltage higher than that which is specified may result in fire or electric shock.
- Do not cut, kink, or otherwise damage, nor modify the power supply cord. In addition, avoid using the power cord in close proximity to heaters, and never place heavy objects -- including the unit itself -- on the power cord, as doing so may result in fire or electric shock.
- Be sure to replace the unit's terminal cover after connection completion. Because high voltage is applied to the speaker terminals, never touch these terminals to avoid electric shock.
- Be sure to ground to the safety ground (earth) terminal to avoid electric shock. Never ground to a gas pipe as a catastrophic disaster may result.
- Avoid installing or mounting the unit in unstable locations, such as on a rickety table or a slanted surface. Doing so may result in the unit falling down, causing personal injury and/or property damage.

When the Unit is in Use

- Should any of the following irregularities be found during use, immediately switch off the power, disconnect the power supply plug from the AC outlet and contact your nearest Sound Choice dealer. Make no further attempt to operate the unit in this condition as this may cause fire or electric shock.
 - If you detect smoke or a strange smell coming from the unit.
 - If water or any metallic object gets into the unit
 - If the unit falls, or the unit case breaks
 - If the power supply cord is damaged (exposure of the core, disconnection, etc.)
 - If it is malfunctioning (no tone sounds.)
- To prevent a fire or electric shock, never open nor remove the unit case as there are high voltage components inside the unit. Refer all servicing to your nearest Sound Choice dealer.
- Do not place cups, bowls, or other containers of liquid or metallic objects on top of the unit. If they accidentally spill into the unit, this may cause a fire or electric shock.
- Do not insert nor drop metallic objects or flammable materials in the ventilation slots of the unit's cover, as this may result in fire or electric shock.

2. ATTENTION



CAUTION

When Installing the Unit

- Never plug in nor remove the power supply plug with wet hands, as doing so may cause electric shock.
- When unplugging the power supply cord, be sure to grasp the power supply plug; never pull on the cord itself. Operating the unit with a damaged power supply cord may cause a fire or electric shock.
- When moving the unit, be sure to remove its power supply cord from the wall outlet. Moving the unit with the power cord connected to the outlet may cause damage to the power cord, resulting in fire or electric shock. When removing the power cord, be sure to hold its plug to pull.
- Do not block the ventilation slots in the unit's cover. Doing so may cause heat to build up inside the unit and result in fire.
- Avoid installing the unit in humid or dusty locations, in locations exposed to the direct sunlight, near the heaters, or in locations generating sooty smoke or steam as doing otherwise may result in fire or electric shock.

When the Unit is in Use

- Do not place heavy objects on the unit as this may cause it to fall or break which may result in personal injury and/or property damage. In addition, the object itself may fall off and cause injury and/or damage.
- Make sure that the volume control is set to minimum position before power is switched on. Loud noise produced at high volume when power is switched on can impair hearing.
- Do not operate the unit for an extended period of time with the sound distorting. This is an indication of a malfunction, which in turn can cause heat to generate and result in a fire.
- Contact your Sound Choice dealer as to the cleaning. If dust is allowed to accumulate in the unit over a long period of time, a fire or damage to the unit may result.
- If dust accumulates on the power supply plug or in the wall AC outlet, a fire may result. Clean it periodically. In addition, insert the plug in the wall outlet securely.
- Switch off the power, and unplug the power supply plug from the AC outlet for safety purposes when cleaning or leaving the unit unused for 10 days or more. Doing otherwise may cause a fire or electric shock.

An all-pole mains switch with a contact separation of at least 3 mm in each pole shall be incorporated in the electrical installation of the building.

Due to product upgrades, some of the features and specifications in the user manual may not match the actual functions. We are sorry for any inconvenience this may cause, and thank you for your kind understanding.

3. GENERAL DESCRIPTION



This Sound Choice Pro Audio product fits into the Commercial Series range.

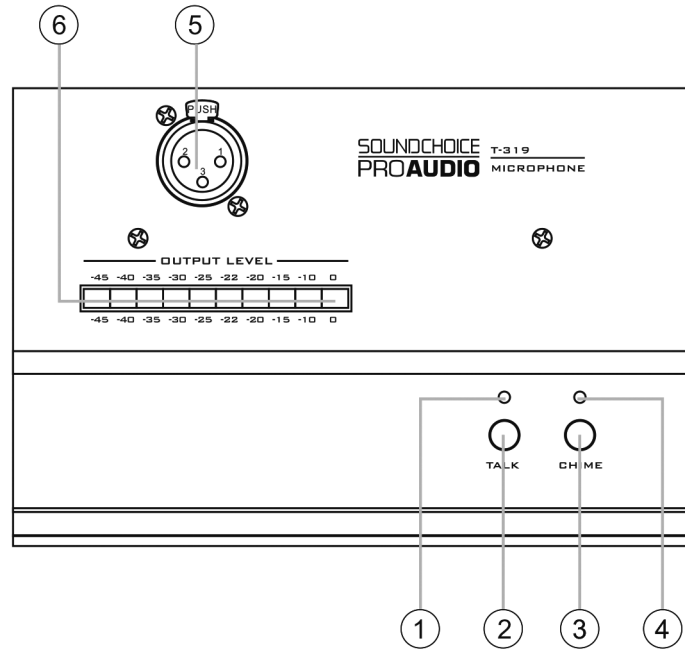
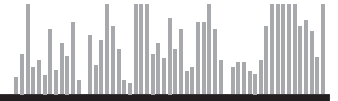
Along with the 1002M, the T319 offers an integrated sound solution from small to large venues and installations. It is suitable for Mosques, schools, hotels, factories, train stations, airports and many more venues.

4. FEATURES



1. Single Shot Chime
2. Announcements by Microphone
Unobtrusive and easy to use condenser type microphone which is highly sensitive and reproduces high clarity speech.
3. Pre-Announcement Chime
A 2 tone chime is incorporated for pre-announcement purposes. This chime is initiated by pressing the CHIME switch.
4. LED Output Level Indication
The ten segment LED barograph display indicates the instantaneous signal output level of the amplifier.
11. Recording output (RCA)
12. Led indicator for Master-output
13. AC/DC 24V

5. FUNCTIONS (Front Panel)



1. Talk
Talk indicators

2. Talk
Talk button

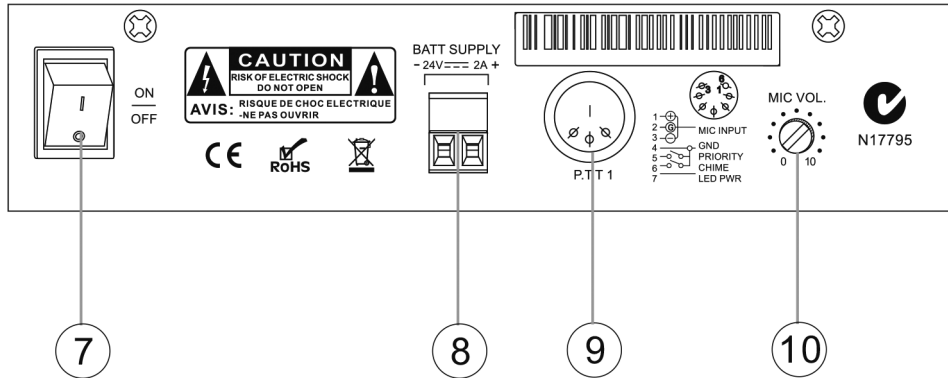
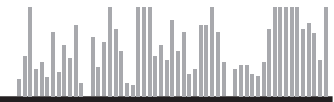
3. CHIME
Chime button

4. CHIME
Chime indicators

5. Electret Microphone

6. Output Level
Level meter 10 output level indicators

FUNCTIONS (Rear Panel)



7. Power Switch

Press 'I' to turn the power ON .
Press 'O' to turn the power OFF

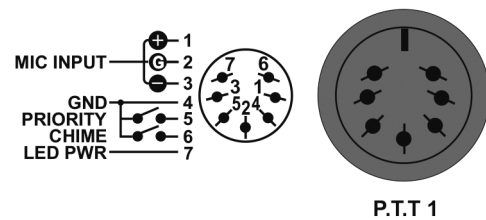
8. 24V DC Power

9. P.T.T. 1

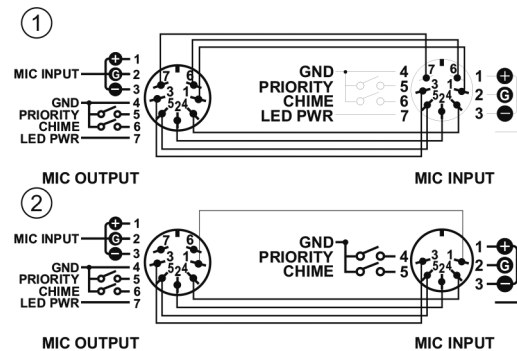
Connect this terminal with the 1002M Pre-amplifier (priority and chime controls are activated from the 1002M (P.T.T remote))
The Microphone cable with shield can be extended up to 30m.
IMPORTANT NOTICE:
Be sure not to short out the device to the ground as the microphone signal + is used for operating the condenser microphone capsule.

10. MIC VOL

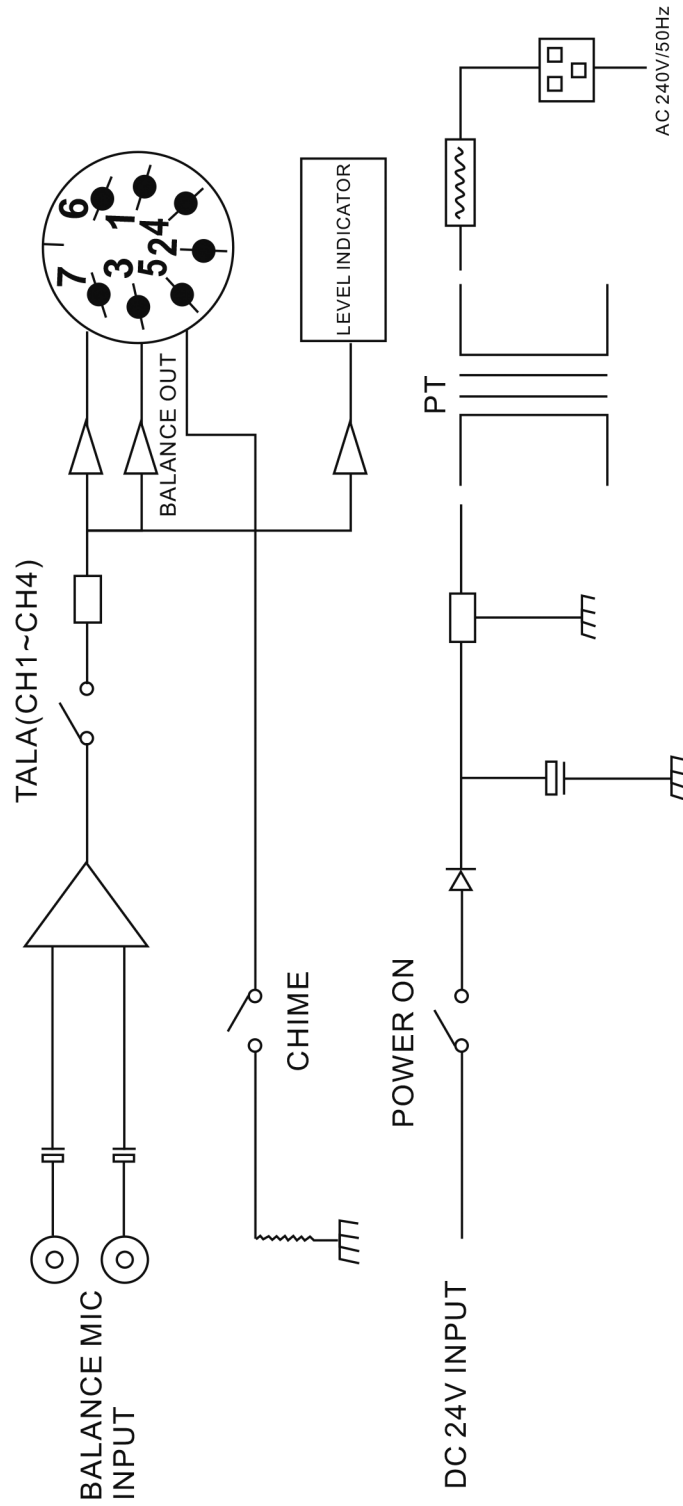
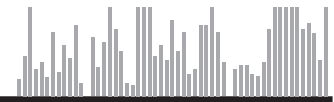
Microphone volume control



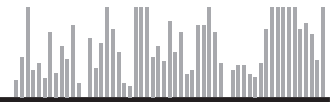
With 1002M segment way:



7. BLOCK DIAGRAM

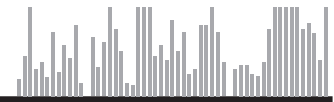


9. SPECIFICATIONS

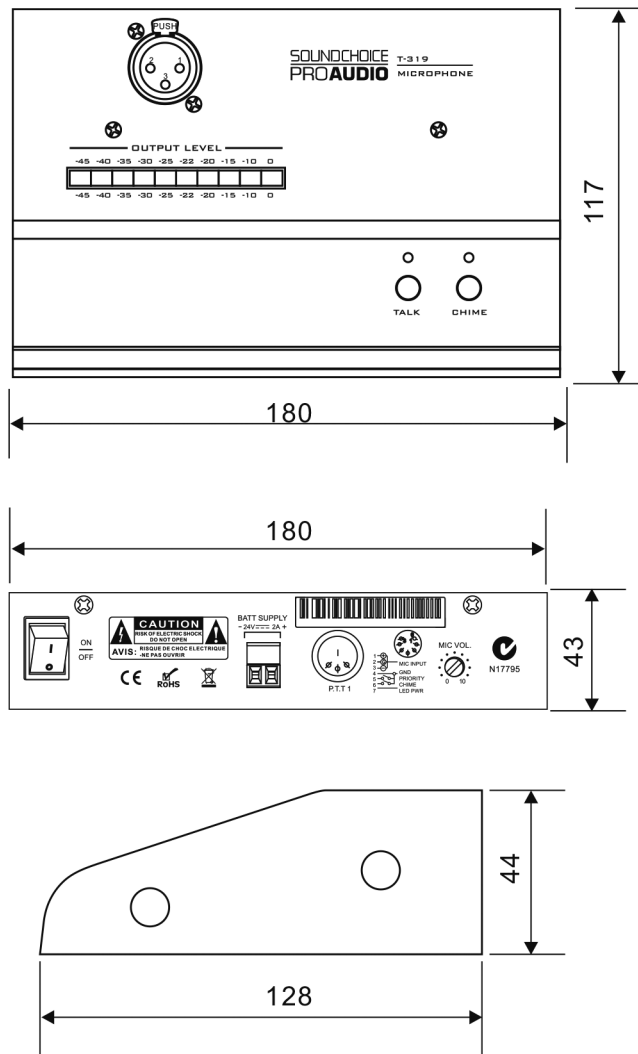


MODEL	T319
Output Level/Impedance	0dBu (unit gain)/600Ohms
Mic Input Sensitivity/Impedence	-50dBu/6000Ohms
Frequency Response	20Hz-20KHz, -3dB
MICROPHONE	
Type	Condenser Microphone
Polar Pattern	Unidirectional
Frequency Repsonse	100Hz-16,000Hz
Impedence	Max 680
Sensitivity (0dB = 1V0.PAAt 1KHz)	-47dB±3dB
S/N Ratio	More than 60dB
GENERAL	
Power Source	DC 24
Weight	960g (without the microphone)
Dimensions (mm)	199(D) x 128(W) x 44(H)

10. INSTALLING METHOD



Unit: mm



NOTE: Please ensure that the unit has at least a 10cm gap from any object on all sides, so as not obstruct the air flow and cause the unit to overheat.

