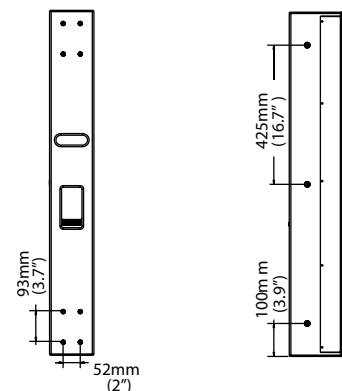
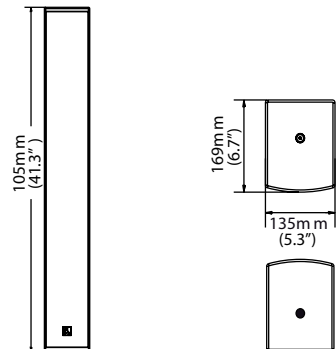


## Product Description:

Installed line array column loudspeakers used in applications including sound reinforcement for Houses of Worship, Events, Theme Parks, Transit Terminals and Shopping Malls etc. The T Series delivers extraordinary performance where high speech intelligibility and natural sounding music is required at unmatched value.

## Key Features and Benefits:

- Vertical line array of 8 x 4" full range transducers
- High fidelity sound
- Passive configuration
- 180° x 30° controlled coverage pattern
- Designed for high speech intelligibility and natural sounding music
- Suitable for use as a main system with or without sub speaker augmentation
- Quick install U bracket included with multiple mounting points provided
- Permanent installation
- Powder coated grill
- Durable Polyurethane textured base paint
- Available in either black or white
- 1 x NL4 conenctor included in packaging
- Optional 100/70V 100W transformer
- Optional mounting hardware for coupling speakers together
- Stackable where additional long throws are required
- Optional processing recommended - can be used without
- Patents pending for central diffuser plate



## System Specifications:

Construction	15mm Birch Plywood
Transducers	8 x 4"
Frequency Response (-3dB)	90Hz-15kHz
Rated Power	240W (RMS), 480W (Program), 960W (Peak)
Sensitivity (1W @ 1m)	92dB
Maximum SPL (1W @ 1m)	116dB/122dB (Peak)
Rated Impedance	4Ω
Dispersion (H x V)	180° x 30°
Connector	Screw Terminal and 1 x NL4
Dimensions (W x D x H)	135mm (5.3") x 169mm (6.7") x 1050mm (41.3")
Packaging Dimensions (1 piece/pack)	240mm (9.5") x 205mm (8.1") x 1150mm (45.3")
Net Weight (1 piece/pack)	12kg (26.4lb)
Gross Weight (1 piece/pack)	13kg (28.6lb)